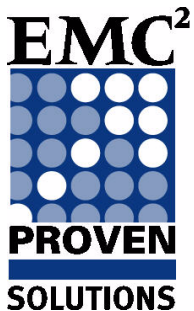




EMC Solutions for Tiered Storage for Microsoft SQL Server 2008

Enabled by EMC CLARiiON CX4 Series iSCSI,
Windows 2008, and VMware ESX Server

Reference Architecture



EMC Global Solutions

42 South Street
Hopkinton, MA 01748-9103
1-508-435-1000
www.EMC.com

Copyright © 2009 EMC Corporation. All rights reserved.

Published February, 2009

EMC believes the information in this publication is accurate as of its publication date. The information is subject to change without notice.

Benchmark results are highly dependent upon workload, specific application requirements, and system design and implementation. Relative system performance will vary as a result of these and other factors. Therefore, this workload should not be used as a substitute for a specific customer application benchmark when critical capacity planning and/or product evaluation decisions are contemplated.

All performance data contained in this report was obtained in a rigorously controlled environment. Results obtained in other operating environments may vary significantly.

EMC Corporation does not warrant or represent that a user can or will achieve similar performance expressed in transactions per minute.

No warranty of system performance or price/performance is expressed or implied in this document. Use, copying, and distribution of any EMC software described in this publication requires an applicable software license.

For the most up-to-date listing of EMC product names, see EMC Corporation Trademarks on EMC.com.

All other trademarks used herein are the property of their respective owners.

Part number: H5993

Contents

About this Solution

Purpose	4
The business challenge	4
The technology solution	4
Solution details	5
Environment profile	6
Conclusion	14

About this Solution

Purpose

The purpose of this document is to illustrate a Microsoft SQL Server 2008 solution on a EMC® CLARiON® CX4-240 with VMware ESX Server using iSCSI to leverage IP SAN connectivity.

The business challenge

With increasing demands and limited resources, today's midsize enterprises face challenges similar to their larger counterparts. Apart from managing expanding IT costs and reducing the risk of business disruption, some of the challenges midsize enterprises face include:

- Consolidating multiple database applications scattered throughout the enterprise
- Ensuring information access, availability, and continuity
- Maximizing server and storage utilization to deliver optimal system performance
- Managing upgrades and migrations
- Reducing the demands on limited IT resources and budgets
- Decreasing the complexity of technology choices

The technology solution

Centralization of information and consolidation of resources create immense economic advantages for any business. This solution offers to:

Maintain service levels — Keep critical and revenue-generating Microsoft applications available and running at peak performance.

Reduce costs — Minimize the cost of database and information management.

Reduce risk — Provide a proven reference architecture that contains tested and validated configurations.

Accelerate implementations — Let EMC Professional Services and ASN-certified EMC Partners provide rapid assessment and efficient implementation.

For detailed information on the best practices performed during this solution, refer to *EMC Solutions for Microsoft SQL Server 2008 on VMware ESX Server EMC CLARiiON CX4 Series - Applied Best Practices* on EMC Powerlink. If you do not have access to this content, contact your EMC representative.

Solution details

The following section provides high-level information on the key components used in this solution. Refer to “[Environment profile](#)” on page 6 for more detailed information.

EMC CLARiiON CX4-240 — The EMC CLARiiON CX4-240 delivers best-in-class performance for midrange networked storage that scales seamlessly up to 231 TB of capacity. The CX4 model 240 supports up to 256 highly available, dual-connected hosts, and scales from 5 to 240 disks. All CX4 models come pre-configured with Fibre Channel (FC) and iSCSI connectivity, allowing customers to choose the best connectivity for their specific applications.

Microsoft ESX Server — The VMware ESX Server can transform or “virtualize” the hardware resources of an x64-based computer - including the CPU, RAM, hard disk and network controller - to create a fully functional virtual machine (VM) that can run its own operating system (32 and 64-bit) and applications just like a physical computer¹.

Microsoft SQL Server 2008 — SQL Server 2008 delivers on Microsoft’s Data Platform vision by helping organizations to manage any data, any place, any time. Store data from structured, semi-structured, and unstructured documents, such as images and rich media, directly within the database. SQL Server 2008 delivers a rich set of integrated services that enables organizations to do more with their data, such as query, search, synchronize, report, and analyze.²

-
1. VMware website source
 2. Microsoft website source

Environment profile

Figure 3 on page 13 shows the overall architecture of the solution, which consists of a consolidation module that comprises the following components:

- Client (or public) LAN and iSCSI SAN networks
- Microsoft SQL Server 2008 connected to the client LAN and iSCSI SAN networks
- Clients connected to Microsoft SQL Server 2008 through the client LAN

The solution architecture has the following general characteristics:

- The Microsoft SQL Server 2008 resides on a VMware ESX Server 64-bit VM.
- The Microsoft SQL Server 2008 Enterprise Edition (64-bit) runs on Windows 2008 Enterprise Edition 64-bit, which itself runs on VMware ESX Server 3.5.
- The VMware VirtualCenter Server is hosted on a physical Microsoft cluster for maximum availability.
- The database datafiles, logfiles, TempDB files, and system database files reside on separate RAID groups (physical RAID arrays). The LUNs for the database files and database logfiles are designed specifically to sustain TPC-C (simulated OLTP) type I/O loads.
- IP (Gigabit Ethernet and VLAN) configuration is designed to balance and distribute the network traffic.
- All files for a VM, including the OS and database files, are stored on the CLARiiON CX4-240 storage system, thereby decreasing server replacement complexity.
- The operating system files are stored on a Virtual Machine File System (VMFS) volume on the CLARiiON CX4-240 storage system to facilitate the VMHA cluster. In the event of a host failure, control of the guest will fail over to another node in the VMHA cluster.
- The database file is stored on the CLARiiON CX4-240 storage system either in a VMFS, Raw Data Mapping (RDM), or Microsoft SCSI Initiator (MSI) volume, depending on the test being conducted.
- The management and client networks shown in Figure 3 include IP switches. These switches support Gigabit Ethernet (GbE or 1 Gb/s) connections.

Storage architecture

There are two storage processors (SPs) per CX4-240, each with base host connectivity of:

- Two 4 Gb/s FC optical ports: FCP SCSI-3 protocol, FC-AL and FC-SW support
- Two 1 Gb/s Ethernet copper iSCSI ports

The system that was tested for this solution had an extra two 1 Gb/s iSCSI ports per SP. Additional, 1 Gb/s iSCSI and 4 Gb/s FCP ports can be added, and in future releases, 10 Gb/s iSCSI and 8 Gb/s FCP ports can be added.

Figure 1 illustrates the EMC CLARiiON CX4-240 storage processor ports.

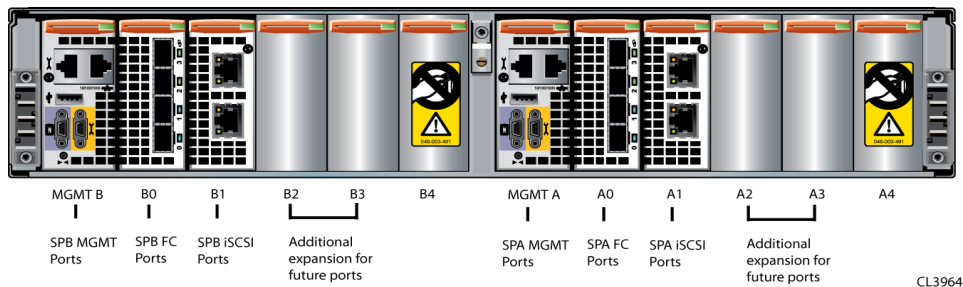


Figure 1 EMC CLARiiON CX4-240 storage processor ports

Disk configuration

The CLARiiON storage system consists of a series of disk-array enclosures (DAEs). Each DAE can hold up to 15 disks. The CX4-240 can scale up to 16 DAEs with a total of 240 disks. The disks can be logically combined across DAEs to form RAID groups. The RAID groups can be segmented into logical unit numbers, or LUNs.

The LUNs can be exposed to the Microsoft Windows operating system. When additional storage is required, disks can be added to DAEs that are not yet full, or new DAEs can be installed and combined into additional RAID groups. The LUNs can be expanded to form metaLUNs. A metaLUN retains the logical unit number of the original LUN. The metaLUNs can also be exposed to the Microsoft Windows operating system.

Table 1 details the disk configuration that was used as a part of this solution.

Table 1 Disk configuration

Configuration	Number of spindles				
	System	TempDB	Data	Log	Backup
1	2	2	12	4	9

There was a single disk configuration tested that had 12 spindles for the TPC-C database data and four database log spindles.

Note: EMC CLARiiON FLARE[®] two-disk RAID 1/0 is similar to RAID 1 (FLARE is the CLARiiON operating environment). Both employ one-to-one disk mirroring. The significant difference between the two is that RAID 1/0 supports RAID group expansion (assigning additional disks to a RAID group) whereas RAID 1 does not.

Figure 2 illustrates the distribution of the application files.

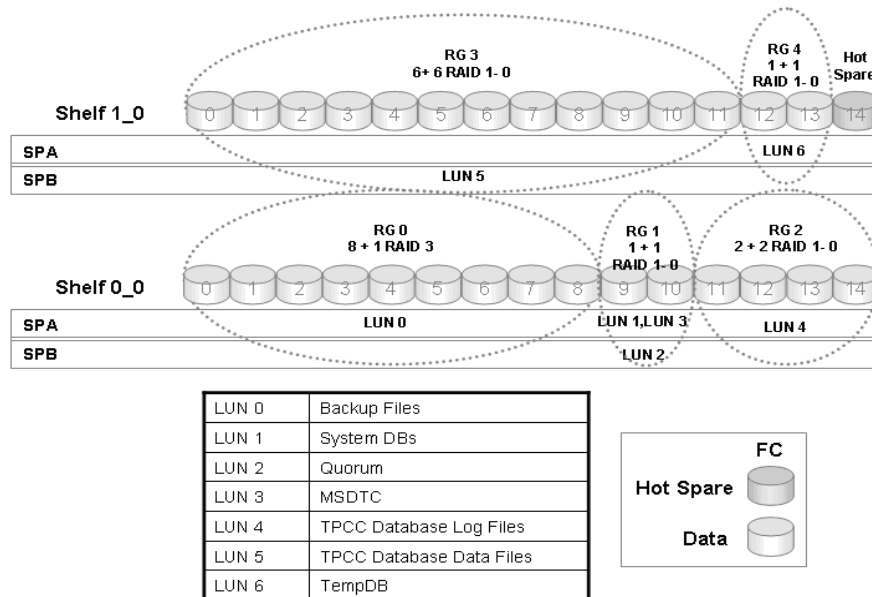


Figure 2 Distribution of application files

In the configuration, the TPC-C database datafiles were stored in two datafiles, each in its own LUN, and both LUNs were taken from the RAID 1/0 group of 12 spindles. Each LUN of 200 GB (total of 400 GB) contained a single database datafile of 175 GB (350 GB total). Therefore, the total size of the database datafiles was 350 GB, of which 240 GB was used at the beginning of the test iteration set.

The TPC-C database logfile was contained on a single LUN, which was presented from the RAID 1/0 group of four spindles. The single database log LUN was 100 GB, and contained a 50 GB database log file.

The two spindles allocated to the system area contained a LUN that had all of the system database files and logfiles such as msdb, master, model, and so on. If the change rate of any of the system databases is high, or if the more recent data is critical, then it is recommended that the system database logfiles be stored on a LUN that is on a different RAID group, thereby physically isolating the logs from the database to maximize recoverability. In the solution that was tested, as the system databases sustained few or no changes at regular intervals, this was not an issue.

Tempdb was isolated to its own two-spindle RAID 1/0 group as the isolation of Tempdb is a recommended best practice from Microsoft. However, these spindles were seldom used as the TPC-C workload puts effectively zero workload on the tempdb database.

Nine spindles were set up in a RAID 3 array to be used for backup and restore purposes. RAID 3 was used because it provides excellent throughput for serial I/O and the backups are exclusively serial. [Table 2](#) lists each file/activity type and indicates where it resides or is recorded.

Table 2 Application file or activity types and locations

File or activity type	Location	RAID level	Total number of physical disks
Database binary files	CX4-240	RAID 1/0	4
TPC-C database logfiles	CX4-240	RAID 1/0	4
TempDB files	CX4-240	RAID 1/0	2
TPC-C database datafiles	CX4-240	RAID 1/0	12
MSDTC ^a	CX4-240	RAID 1/0	2
System database files	CX4-240	RAID 1/0	2

a. Microsoft Distributed Transaction Coordinator. This software enables a single transaction to include data from multiple source locations. The software then coordinates the process of committing the transaction across the various locations.

Disk alignment

Unlike Windows 2003, Windows 2008 Disk Manager automatically creates aligned partitions, so there is no need to use diskpart or other realignment methods. For further information on disk alignment, please refer to:

[White Paper: Using diskpart and diskpart to Align Partitions on Windows Basic and Dynamic Disks](#)

[Aligning GPT Basic and Dynamic Disks for Microsoft Windows 2003 Technical Note](#)

Note: These documents are available on EMC Powerlink, if you do not have access please contact your EMC representative.

Microsoft SQL Server 2008 architecture

The 4U ESX Server that houses the Microsoft SQL Server 2008 has six network interfaces. Four of the network interfaces connect to the SAN while one network interface connects to the client (public) network. One network interface is made available for future needs. Additional network ports could be used to isolate certain types of traffic, to be fully allocated to a specific VM, or for teaming and load balancing, should any of these be needed. [Table 3](#) lists each interface and describes its use.

Table 3 Application server network interface configuration

Interface port ID	Description
Eth0	Public network
Eth1	Open for future use
Eth2	SAN connection
Eth3	SAN connection
Eth4	SAN connection
Eth5	SAN connection

High availability and failover

The validated solution provides protection at the storage and host layers.

Storage layer

The CLARiiON CX4-240 has two SPs to provide high availability and load balancing. In the validated solution, the two SPs provide seamless failover capabilities for the storage. This minimizes disruption during maintenance or possible component failure. The RAID disk configuration on the CLARiiON back end provides protection against hard disk failures.

Host layer

The application hosts have redundant power supplies, iSCSI connections, and network connections to reduce the impact of host hardware failure.

In the event of a host failure, the guest VM will be automatically restarted on another node in the VMHA cluster.

Application architecture

No special configuration settings were used for Microsoft SQL Server 2008 during the solution testing. All default settings were used for memory, processors, network, threads, and so on. The only exception was that it was verified that the account under which the SQL Server service ran had the Lock Pages In Memory and the Perform Volume Maintenance Tasks user rights to allow the SQL Server to prevent pages from being swapped, and to enable fast file initialization.

Hardware resources

The hardware resources used in the solution are listed in [Table 4](#).

Table 4 Hardware

Equipment	Quantity	Configuration	Notes
EMC CLARiiON CX4-240	1	<ul style="list-style-type: none"> • 2 x SPs • 4 x 1 Gb/s iSCSI connections per SP • 3 x FC shelves (DAE) • 15 x 300 GB (15k) FC disks per DAE 	FLARE 3.28
4U server	2	<ul style="list-style-type: none"> • 4 x 2.8 GHz AMD Opteron dual-core processors • 32 GB of memory 	VMware ESX Server 3.5
1U server	1	<ul style="list-style-type: none"> • 2 x quad-core Intel 5300 series Xeon • 16 GB of memory 	VMware ESX Server 3.5 with Domain Controller and Monitoring Console VMs
1U server	2	<ul style="list-style-type: none"> • 2 x quad-core Intel 5300 series Xeon • 4 GB of memory 	VMware VirtualCenter Server 2.5 running physical on Windows 2003 Server 32-bit R2 SP2
1U server	3	<ul style="list-style-type: none"> • 2 x quad-core Intel 5300 series Xeon • 16 GB of memory 	VMware ESX Server 3.5 with Benchmark Factory Client VMs
Switch	4	<ul style="list-style-type: none"> • 48 (copper) 1 Gb/s ports 	

Software resources

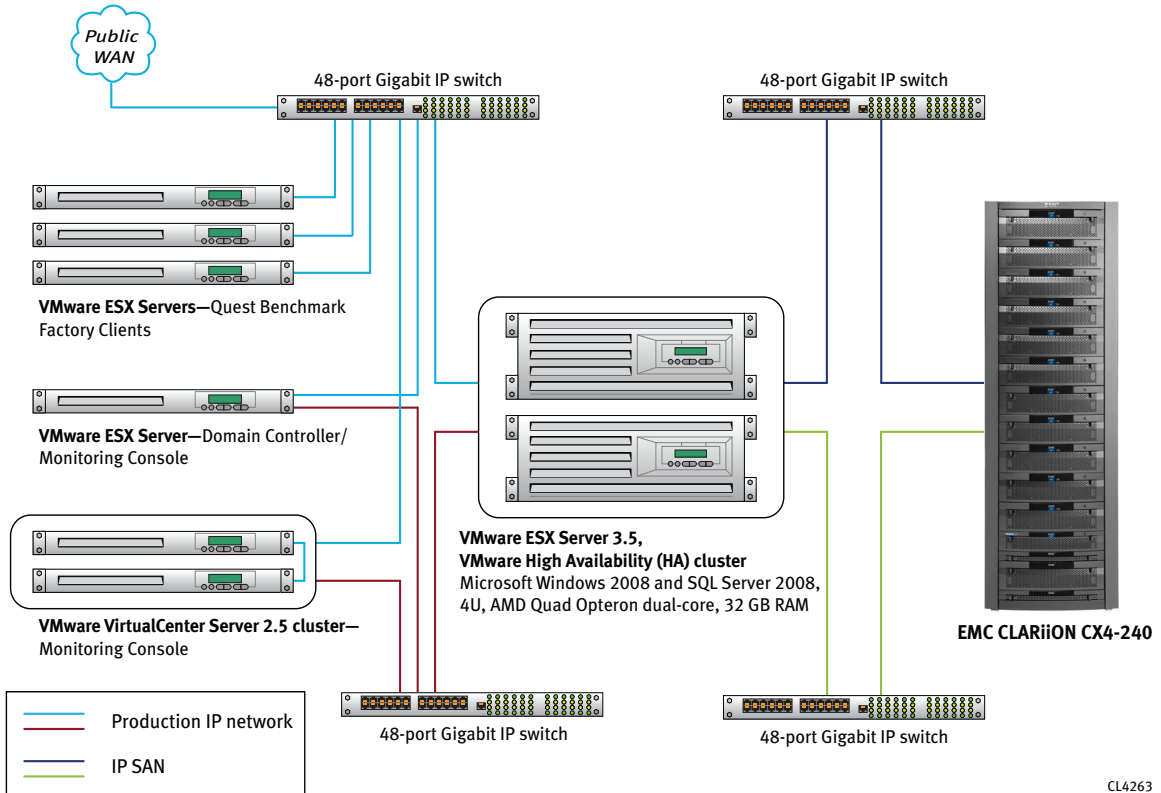
The software resources used in the solution are listed in [Table 5](#).

Table 5 Software

Software	Number of licenses	Configuration
Microsoft Windows 2008 Server Enterprise Edition, 64-bit	Varies	One for each server / VM
Microsoft Windows 2003 Server Enterprise Edition, 32-bit R2 SP2	2	One for each VMware VirtualCenter Server running on a Microsoft cluster
Microsoft SQL Server 2008 Enterprise, 64-bit	1	One license per CPU socket
VMware ESX 3.5		One license per 1U and two licenses per 4U running ESX
VMware VirtualCenter Server 2.5	1	Must be physical, not in a VM

Physical architecture

Figure 3 illustrates the overall physical architecture of the solution.



CL4263

Figure 3 SQL Server 2008 with EMC CLARiiON CX4 series iSCSI enabled by Microsoft Windows 2008 and VMware ESX Server

Conclusion

This document depicts a solution that utilizes VMware ESX Server 3.51 to run Windows 2008 and SQL Server 2008 on virtual machines. Virtualization provides many benefits and should be strongly considered wherever it is suitable.

While this solution is validated and has many benefits, care must be taken when planning any SQL Server virtualization. If an organization's SQL Server database(s) require more resources than can be delivered by the current version of ESX Server, then two options remain.

Scale out — this approach suits an organization that uses multiple VMs to spread the workload across a greater pool of resources (than are available to a single VM). However, the database and any systems that utilize it must be designed to allow for this scalability plan.

Scale up — this approach suits an organization that is currently using a monolithic server (or scale-up approach), due to limitations in the architecture of the database, or any systems that utilize it. When an organization that is using the scale-up approach needs to have a SQL Server that exceeds the resources that can be provided to a single VM, then virtualization of that SQL Server is not an option.

Both approaches require proper investigation, testing, and planning to ensure organizations take full advantage of the many benefits that virtualization provides.

To learn more about this and other solutions contact an EMC representative or visit www.EMC.com/solutions/microsoft.